

Wall Mount Network Cabinet Set (4/6/9/12U)



- Removable side panel, easy to install and maintain
- Cable entry on the top cover and bottom cover with inset sealing plate
- Fan cutout on the top cover, easy to install fan
- Tempered glass front door with over 180 turning degrees
- Installing back panel and hanging hole, easy to fix on the wall
- Various accessories for option

Brief Introduction

Cabinet is an independent or self-supporting enclosure for accommodating electrical or electronic equipment, which can provide waterproof, dustproof and electromagnetic interference protection for storage equipment. At the same time, there are optional suitable accessories and installation accessories, so as to make wiring more convenient, easy to manage and save time as well as effort.

Cabinets are generally used in network wiring rooms, floor wiring rooms, central computer rooms, data computer rooms, control centers, monitoring centers, etc.

Specifications

Model	Capacity(U)	Width*Depth*High (mm)	Material	Color
ZK-R4U-5404A	4	530*400*210	Steel	Black
ZK-R6U-5406A	6	530*400*300	Steel	Black
ZK-R9U-5409A	9	530*400*480	Steel	Black
ZK-R12U-5412A	12	530*400*600	Steel	Black
ZK-R6U-6406S	6	600*450*350	Steel	Black
ZK-R9U-6409S	9	600*450*500	Steel	Black



ZK-R4U-5404A



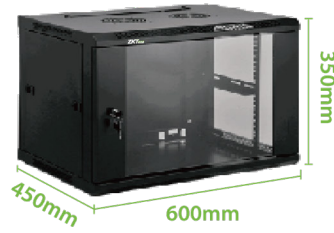
ZK-R6U-5406A



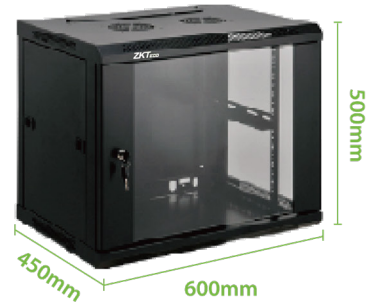
ZK-R9U-5409A



ZK-R12U-5412A

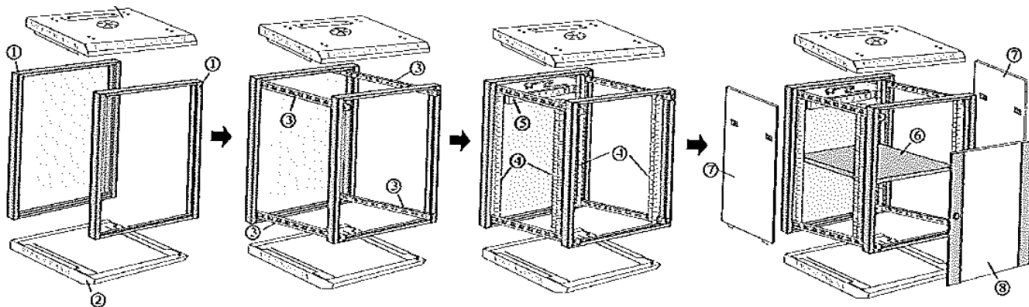
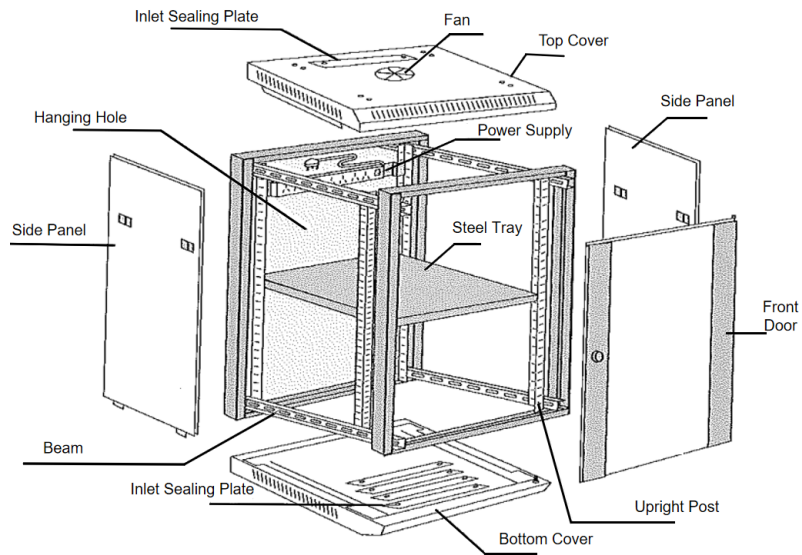


ZK-R6U-6406S



ZK-R9U-6409S

Installation Diagram



Related Accessories

Picture				
Specification	Applicable size-- 600*600/800/1000, Suitable for large cabinet trays above 12U, cold-rolled steel material, black, 1UR	Cabinet tray for 6U/9U/12U, cold rolled steel material, black, 19", 1UR	12-port 24-position/24-port 48-position cable management rack, length 48.5cm, height 1U	Cabinet fan, size 12*12*2.5cm
Picture				
Specification	6 port PDU, plastic case	8-Port 10A lightning protection PDU, aluminum alloy	8/12-Port 16A lightning protection PDU, aluminum alloy	Laminate screws, device screws

