

# IPC-HUM8231-L1

## 2MP Covert Pinhole Network Camera-Lens Unit



- 1/2.8" 2Megapixel progressive scan STARVIS™ CMOS
- Day/Night(Electronic), WDR
- 2.8mm Fixed Pinhole Lens
- 8-meters cable
- Require a Main Box to work together



### System Overview

Dahua covert camera used modular design, this product provides an independent miniature sensor unit (with 8-meters cable), while there is a main unit for customers to choose. It can be easily installed into any indoor environments, which makes this camera ideal for the ATMs(Automatic Teller Machines), banks, stores, hotels and offices.

### Technical Specification

#### Camera

Image Sensor	1/2.8" 2Megapixel progressive scan CMOS
Scanning System	Progressive
Effective Pixels	1920(H)x1080(V)
Minimum Illumination	0.02Lux/F2.4 (Color,1/3s,30IRE) 0.08Lux/F2.4 (Color,1/30s,30IRE) 0.01Lux/F2.4 (B/W,1/3s,30IRE) 0.04Lux/F2.4 (B/W,1/30s,30IRE)
IR Distance	N/A
IR On/Off Control	N/A
IR LEDs	N/A

#### Lens

Lens Type	Fixed			
Mount Type	Board-in			
Focal Length	2.8mm			
Max. Aperture	F2.4			
Angle of View	H:104°, V:59°			
Optical Zoom	N/A			
Focus Control	Fixed			
Close Focus Distance	N/A			
DORI Distance	Detect	Observe	Recognize	Identify
	38m(126ft)	15m(50ft)	8m(25ft)	4m(12ft)

### Pan/Tilt/Rotation

Pan/Tilt/Rotation Range	N/A
-------------------------	-----

### Certifications

Certifications	CE (EN 60950:2000) UL:UL60950-1 FCC: FCC Part 15 Subpart B
----------------	--

### Environmental

Operating Conditions	-30° C ~ +60° C (-22° F ~ +140° F) / Less than 95% RH
Storage Conditions	-30° C ~ +60° C (-22° F ~ +140° F) / Less than 95% RH
Ingress Protection	N/A
Vandal Resistance	N/A

### Construction

Casing	Metal
Dimensions	Φ30.5mm×48.65mm(Φ1.20"×1.91")
Net Weight	0.40Kg (0.88lb)
Gross Weight	0.47Kg (1.03lb)

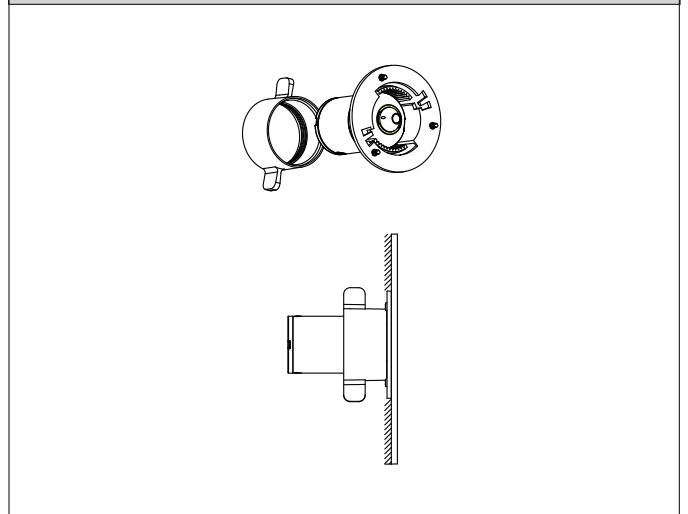
**Ordering Information**

Type	Part Number	Description
2MP Camera Lens Unit	IPC-HUM8231-L1	2MP Cylindrical Pinhole Lens with 8 meters Cable
Accessories (Required)	Lens Unit L1 Bracket (included)	Pinhole Wall/Ceiling Mounting Bracket
	DH-IPC-HUM8231P-E1	2MP Covert Pinhole Network Camera Main Box, PAL
	DH-IPC-HUM8231N-E1	2MP Covert Pinhole Network Camera Main Box, NTSC
	IPC-HUM8231P-E1	2MP Covert Pinhole Network Camera Main Box, PAL
	IPC-HUM8231N-E1	2MP Covert Pinhole Network Camera Main Box, NTSC
	DH-IPC-HUM8231P-E2	2x2MP Covert Pinhole Network Camera Main Box, PAL
	DH-IPC-HUM8231N-E2	2x2MP Covert Pinhole Network Camera Main Box, NTSC
	IPC-HUM8231P-E2	2x2MP Covert Pinhole Network Camera Main Box, PAL
	IPC-HUM8231N-E2	2x2MP Covert Pinhole Network Camera Main Box, NTSC

Link: [http://www.dahuasecurity.com/products\\_category/2-megapixel-4271.html](http://www.dahuasecurity.com/products_category/2-megapixel-4271.html)

**Accessories**

**Wall/Ceiling Mount**



**Dimensions (mm/inch)**

